

EDARTS

G A M E S

Commercial Dartboard Machine User Manual

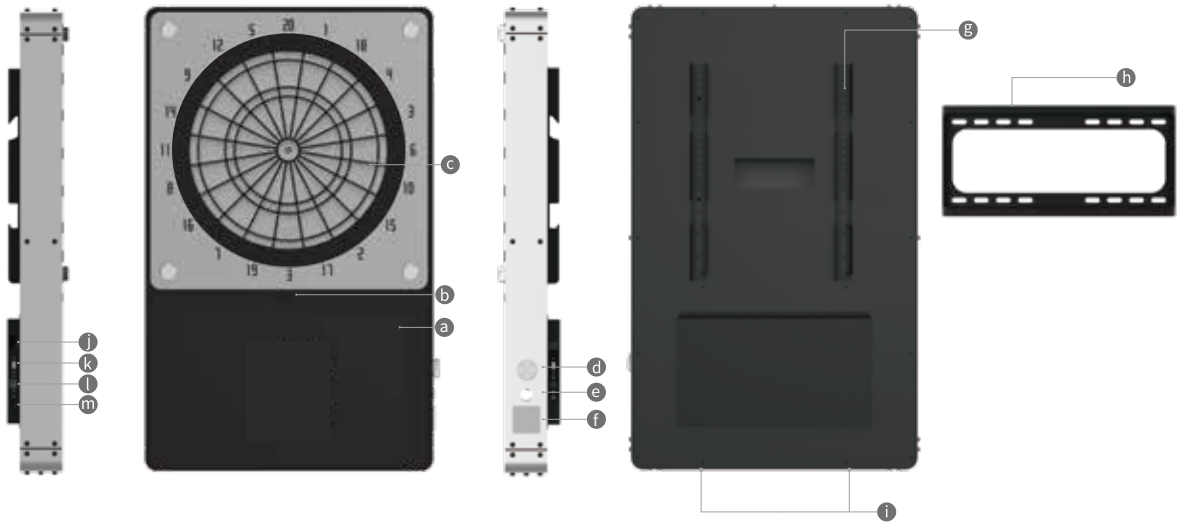


EDmini

Contents

Introduction of EDmini Dart Machine	02
Assembly steps	03
Environment Settings	04
Dart introduction/Repair segment	05
Entering the game	07
Language	07
Recommended Games	08
Game types	08
Recommended Games	08
Game point	09
Network status	09
QR Code login	09
Edarts APP	10
APP Download	10
Registration	11
Scan login	11
Enable APP scanning function	11
Scan	11
Successfully logged in	11
Notice	12
Troubleshooting	15
Problem Report	16

Introduction

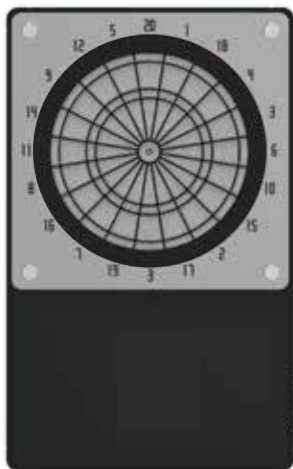


- | | | | |
|----------------------|----------------------|---------------|--------|
| a 21.5" touch screen | e Power Switch | i Speaker | m HDMI |
| b Camera | f Nameplate | j Power input | |
| c Dartboard | g Suspension bracket | k USB | |
| d Volume | h Wall mount | l Cable | |

Electronic Specifications

Intel NUC CPU/GPU:RK3399hexa-core CPU(ual-core Cortex-A82 (big core)+quad-core Cortex-A53 (small core), 1.8GHz.
RAM: DDR4 4G
USB 3.0
RJ45
3.5 Audio output
Display interface: HDMI+HDMI mDP output interface
Touch screen:1920*1080/ 21.5 INCH/12V, 4A
Camera on Segment area:160 degree wide angle 720p
Voltage:110~ 240V , 50/60Hz

Accessories



A01



A02



D01



D02

- E01*4
- E02*4

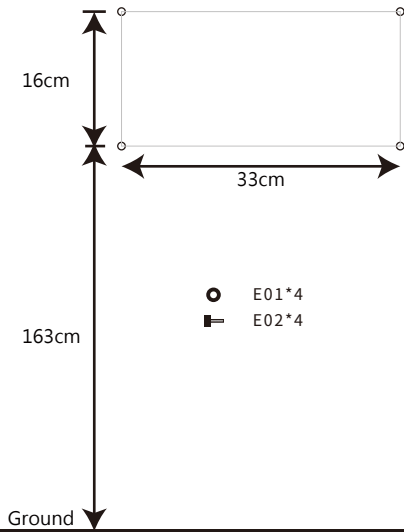


C01

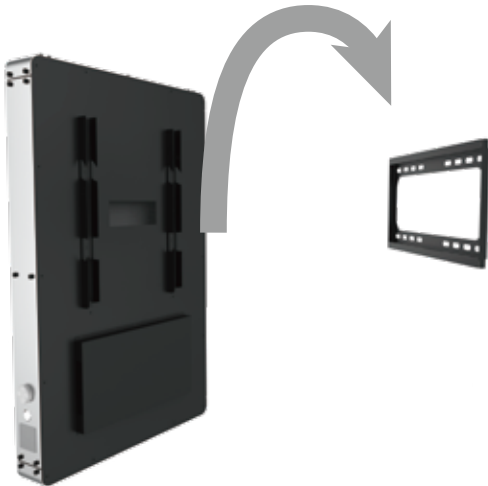
Assembly steps

ASSEMBLY INSTRUCTIONS

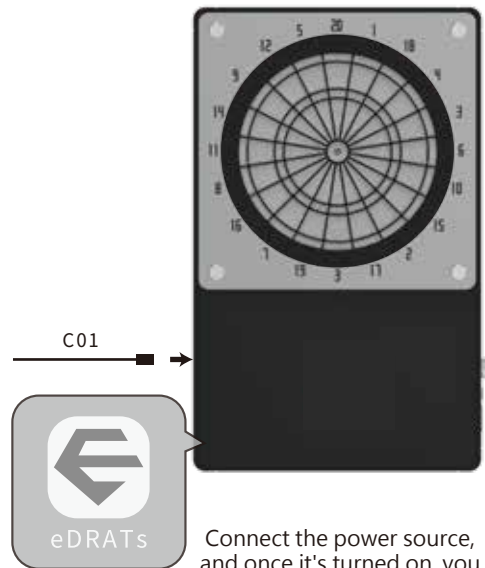
Ensure that two or more people assemble it together to prevent accidents.



Securely lock the wall hole according to the specified position and fix the wall bracket onto the wall surface.



Two individuals lift the machine, align it with the bracket position, and hang the machine onto the wall bracket.



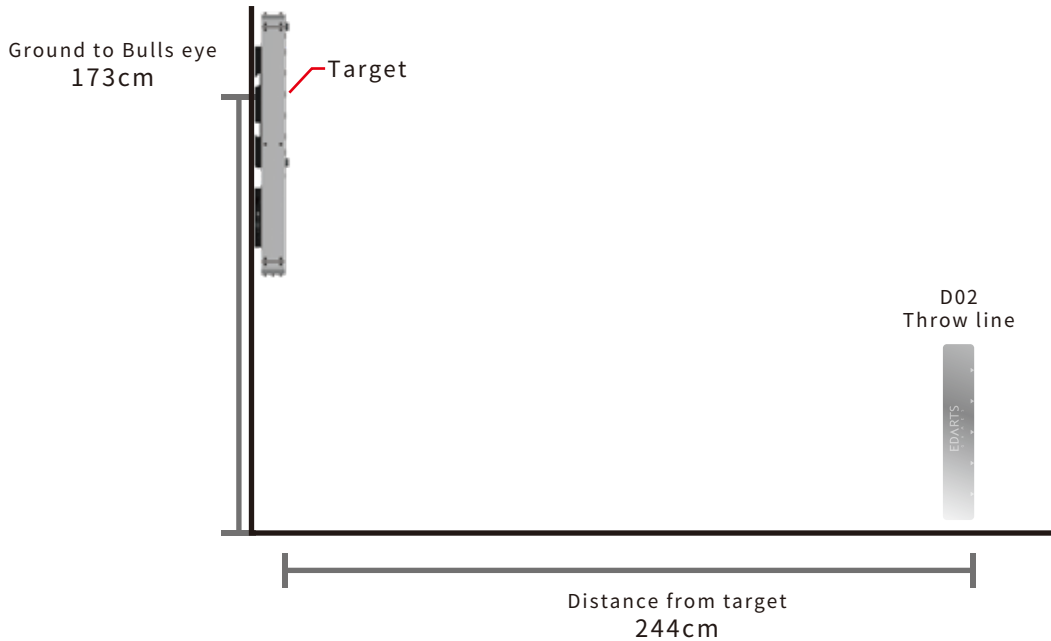
Connect the power source, and once it's turned on, you can start playing the game.

DONE

Single-mode play can run without EDarts APP and an Internet connection.

Environment settings

Using a measuring tape D02 to measure dimensions.



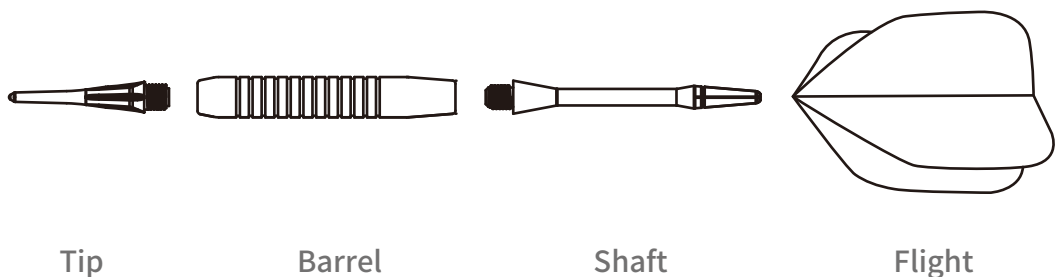
Soft dart

The soft tip dart is especially for plastic electronic targets. **DO NOT** use any steel tip darts on plastic targets, which will cause irreversible damages.

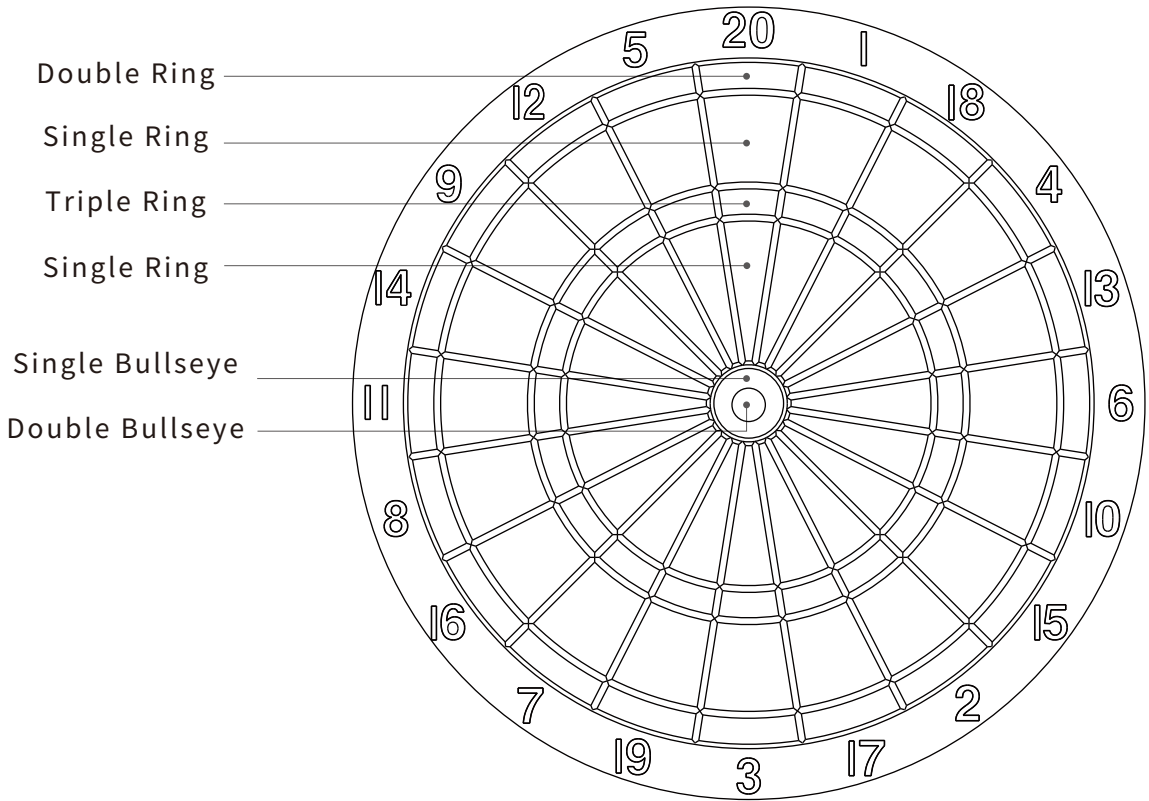
A dart includes four parts: tips, barrels, shafts, and flight. These parts are all consumables and not included in the warranty. If a dart tip is bent and not broken, you can try to fix it with your hand and continue to use it. If the tip cannot be fixed, please replace it with new one.

Users can play with personalized darts if the genuine darts are not meet their needs.

Children under 14 are not allowed to use it without a guardian.



Tartget descriptions



Repair segment

1 Remove the four nuts and take off the metal decorative plate.

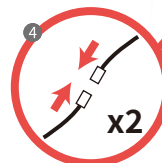
2 Remove the panel and disconnect the two wires between the motherboard and the host.

3 Place it on a flat surface and remove the screws, lamp board wires, or thin film buttons for block maintenance.



5 Install the metal decorative plate and tighten the four nuts.

4 After maintenance, connect the panel wires first and then fix the panel to the chassis.



Entering the game

Game homepage

After successfully starting the machine, the game homepage will turn on. The homepage has many functions and game entrances, and you can touch the screen with your fingers to choose.



- Ⓐ Language
- Ⓑ Recommended Games
- Ⓒ Game types

- Ⓓ Game points
- Ⓔ Internet status
- Ⓕ QR CODE log in

Quick start single-mode play

01Game



Enjoy game!!

Cricket



Enjoy game!!

A. Language

Click the [LANGUAGE] button to set the language. Currently, there are three language settings: Traditional Chinese, English, and Simplified Chinese. After clicking on the confirmed language, click the [OK] button to complete the setting.



B. Recommended Games

This is a recommendation for current new and popular games. Click to open the corresponding game and play.

C. Game types

This is a selection for all game types

01 GAME

The game starts with a set number of points(301, 501, ... and 1501) . The first player who manages to reduce his score to exactly 0 wins! If a player' s points go below zero, it is called BUST, and he must start again with the score he had at the previous round. Each player throws 3 times per round.

CRICKET

Only the areas of 15, 16, 17, 18, 19, 20, and bull are the target. If you hit any of the six numbers or bull, a mark is added to that number. Once there are three marks, the number is open, and after that, hitting that number will score the player points.

If your opponent opens a number, the opponent will be able to score on that number. To prevent your opponent from scoring points, you must close that number by getting three marks. If the number is closed, the opponent can no longer score points on that closed area. Before spending time closing numbers, form a strategy so that you can open numbers first!

PRACTICE

Here, we provide many practice games for players who want to improve their dart skills.

PRACTICE -COUNT UP

This is a game that accumulates points by throwing darts within a limited number of rounds. In the end, the player with the highest score wins.

PRACTICE -CRICKET COUNT UP

This game is the same as the COUNT UP , but only the areas of 15, 16, 17, 18, 19, 20, and bull are the target.

PRACTICE-BULL HUNTER

This is a game where both players aim to hit the Bull in a competition. The game sees who can hit the Bull consecutively, and those who miss will be eliminated. The last player in the game wins.

PRACTICE -RANDOM CHECKOUT

The game rules are the same as 01game, which requires a score of 3 points for internal darts. During the game, a random set of points will pop up. This set of points will be used for darts, and successful darts will earn 1 point for the game. The player with the highest score in the end of the game will win.

PRACTICE -FIREWORKS

This is a game that combines fireworks. As long as the player successfully hits the effective area, the multiplier will grow. Therefore, every time the player successfully hits the target, they will release the corresponding multiplier of fireworks, allowing the player to pursue points and also have an excellent fireworks show. The game's highest score winner in the end.

PARTY GAME :

In party games, there are many fun and easy to get started games that both beginners and veterans can play together, making it easy and burden free.

PARTY -SHOOTING FRISBEE

This is a game that combines shotgun shooting with flying targets. When the machine shoots a flying target, a range target will randomly appear at the top of the difficulty screen. Players can aim at the target to earn points, and the player who obtains the highest score in the game will win.

PARTY -SUPER BULL:

This is a game that competes in shooting bullseye, and the bullseye are enlarged throughout the game, allowing players to enjoy the pleasure of shooting oversized hearts.

PARTY -BINGO LINE

This is a dart throwing game that combines the Bingo connection gameplay. Each square in the game will have a corresponding number corresponding to the dart target score area. As long as you hit the score area and roll 3 darts, the square can become your territory. In the end of the game, you only need to connect your own square territory to win

PARTY -SOCCER PK

This is a dart game combining football shooting. In the game, players first throw the first dart to determine a number, then must throw 2 or 3 darts. As long as the sum of the two darts is within the range of this number, they can shoot and score, otherwise, they will be guarded by the goalkeeper, and the game winner will win the game with the highest score.

PARTY -BALLOON SHOOTING

This is a dart game that combines night market balloon shooting. The target surface is covered with balloons corresponding to the dart target location. By targeting these areas, you can break through the balloons and earn points. Continuously hitting the balloons will activate COMBO, and the score will double. The game's highest score will win in the end.

PARTY -FIREWORKS

This is a game that combines fireworks. As long as the player successfully hits the effective area, the multiplier will grow. Therefore, every time the player successfully hits the target, they will release the corresponding multiplier of fireworks, allowing the player to pursue points and also have an excellent fireworks show. The game's highest score winner in the end.

MATCH

Through this MATCH mode, you can select your favorite games and combine them into a competition, experiencing the fun of a formal competition.

ONLINE

Online mode allows players from all over the world to engage in endless online battles and enjoy real-time interactive darting fun in a timely manner.

D. Game point

This is the display of game points. If the product has enabled the coin function, the corresponding number of coins will be displayed.

FREE PLAY If the product is enabled for free functionality, it will display FREE PLAY. If no need coin slot function, please contact the salesman to adjust your request.

E. Network status

This is the display of network status. When successfully connected to the network, ONLINE will be displayed. If not connected to the network, OFFLINE will be displayed.

F. QR CODE login

Clicking on this QR CODE image can enlarge and facilitate scanning.

Download the EDARTS app and scan this QR code in seconds to log in Online play.

EDarts APP

Introduction to the APP

We offer the edarts app membership service. As long as you download the app to your mobile device and use it to log in and play on the console, you will have a richer gaming experience.

Through the app, you can quickly scan and log in to the machine without carrying any extra cards. You can also enjoy various edarts machines with friends, customize tablecloths, animations, and personalized features such as timely viewing of your dart data, rating, leaderboards, and social groups. The app is constantly expanding and updating. Currently, it is a free service, please download it as soon as possible.



1. Download APP

Please search for EDARTS on the APP STORE or Google play.



2. Registration

After opening the app, click Sign up to register, fill in the information in order, and complete the registration to open the app.



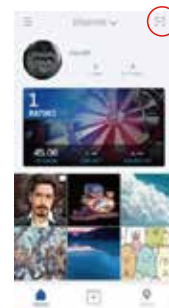
3. Scan login

Scan and log in to start your mobile device, click on the Edarts application you have installed.



4. Enable APP scanning function

After entering the app, click on the top right corner to activate the scanning function.



5. Scan

Scan your mobile device by aligning it with the QR CODE in the bottom right corner of the machine.



6. Successfully logged in

After successful login, your exclusive virtual card will be displayed at the bottom of the homepage. All playing data will be recorded. Enjoy !



Notice

Description

Thank you for purchasing our product. This manual includes important safety information and preventive measures to ensure safe use of this product. Before use, please read carefully and place it nearby for reference. As this manual is about EPOCH dart machines paired with the Edarts app, please refer to the application's help page to understand the usage and requirements of the application.

EDARTS APP is a designated application for EPOCH Darts. Please install the application on your device (smartphone/tablet) and use it with an EPOCH dart machine.

For the safe use of the product

Before using this product, please carefully read this safety information and precautions. We are not responsible for any defects, injuries, or damages caused by the misuse of our products.

Warning! Failure to follow the instructions may result in property damage, varying degrees of injury, or death.

Damage and malfunction

Please do not operate the product in any way that does not follow the instructions. If there are any issues with the game process, please use the in-game report system to provide feedback. If there are hardware-related issues with the dart machine, please turn it off, restart it, and try again before contacting us.

Prohibited behavior

It is prohibited to place the product and any of its components in flames, hot ovens, or microwaves. Otherwise, it may cause product explosion or damage, and result in personal injury or death.

Please keep the product away from direct sunlight and sources of ignition, and store it in a cool and dry place. There is no extreme temperature or humidity. High temperatures may damage or deform plastic components.

Please keep the dart components away from young children to ensure their safety

Do not disassemble

Do not disassemble, modify or replace the circuit board and its components. Otherwise, it may cause fire, malfunction, and damage. If the circuit board does not work properly, please contact the store or salesman you purchased from.

Wire

The following behaviors of wires may cause fire, injury, electric shock, or short circuits. Do not process, twist, heat, or place any heavy objects on the wire socket.

Do not wrap wires around the neck or the body. Do not tie, bend, cut, or damage in any other way.

Please do not forcefully pull and unplug the wire, just hold its socket head to remove it. If the wire is damaged, please stop using it to ensure your safety. Please only use wires included with the product.

Before throwing darts

Do not throw darts at people and animals. Before throwing darts, please ensure that no people, animals, or objects are around the dartboard, including windows and furniture, to avoid injury or damage. Do not walk in front of someone who is throwing darts.

Preventing suffocation

Please keep the small components on the dart away from young children. Please make sure not to leave any part of the dart, such as a damaged tip, to prevent accidental suffocation.

Prohibited behavior

If excessive force is applied, the product may be damaged (do not kick, hit, or step on it). Keep the product away from direct sunlight and avoid high temperatures and humidity. Please do not allow this product to come into long-term contact with rubber or plastic items. Otherwise, it may cause damage or malfunction. Use only a neutral detergent to clean the product with a cloth, and then wipe it with a dry cloth. Do not use diluted chemical cleaning products (including kerosene, gasoline, benzene, paint thinner, or alcohol) to clean the product.

This product is only suitable for soft pointed darts. Please do not use any steel pointed darts. Do not use darts weighing more than 20 grams. They can cause damage and malfunction of this product.

Do not forcefully throw darts. It may cause damage or malfunction. Before throwing darts, please ensure that no people, animals, or objects are around the dart board, including windows and furniture, to avoid injury or damage.

If the tip of the dart sticks to the dart target and breaks, please use tools such as pliers to remove the tip and do not push it into the dart target, otherwise it may cause damage or malfunction.

Power

If you are not using it, please turn off the power and unplug the wires.

Installation

This dart machine is only for indoor use and is not recommended to be placed outdoors or in damp environments. To prevent fire or electric shock hazards, do not expose this product to liquids, rainwater, or moisture. It is recommended to place it on a wall with strong support for the product, align it and firmly install it. After installation, please ensure that it is firmly installed, and regularly check the stability of the machine.

For your health

Do not use excessive force when throwing darts to avoid damaging the dartboard and injuring your shoulders, arms, or hands. It is not recommended to use this product for a long time as it may harm your hands and arms. If you have any problems with your hands or arms, using this product may worsen the situation. Please consult a doctor first.

Other

Suggested age for use: This product is suitable for ages 16 or above. Working environment temperature range: Please use at an ambient temperature of 40 °C. Disposal: When disposing of this product, please take appropriate measures in accordance with the laws and regulations of your country or region.

Supported operating systems

Apple (iOS 11+: iPadOS 11+) Android (Android OS 7.0+)

The above is a recommended device and it cannot be guaranteed that the device can start normally.

Troubleshooting

	Failure	Solution
Hardware part	No power on / no power	<ol style="list-style-type: none"> 1. Check whether the power cable and plug are loose and in poor contact. 2. Whether the power switch indicator is on, There are lights on but not work. <ol style="list-style-type: none"> a.It is necessary to open the cover of the lower part of the product to check whether the leakage switch has tripped. b.The leakage switch automatically trips after it is turned on, which proves that the product has a short circuit. <p>Please contact the manufacturer for maintenance advise before fixing and unplug the power to prevent accidents</p>
	LED does not light up/dicolor	<ol style="list-style-type: none"> 1. Restart the APP to see if it returns to normal. 2. Open the panel to check if the data cable is off. 3. If there is no problem, notify the manufacturer for repair advise.
	Dart tip broken in segment	Open the panel, and remove the screws of the grid frame, backlight board, transparent acrylic, etc. Find the segment, and use a tool to push out the dart tip from the back.
	No sound	<ol style="list-style-type: none"> 1. Check if the computer volume is turned down. 2. Open the back cover and check whether the 3.5 audio cable of the computer is in bad contact. 3. If there is no problem, notify the manufacturer for repair advise.
software part	No score	<ol style="list-style-type: none"> 1. Check the corner of the segmented block for warping and sticking. 2. Open the panel and check whether the data cable has fallen off. 3. Restart the APP to see if it returns to normal. 4. Pressing by hand, whether the no score position is individual, or all positions are not working. it may need to replace the Matrix or PCB board. <p>Please notify the manufacturer for repair advise.</p>
	APP prompts that the button is stuck	Check whether the segment is warped and stuck, and it can be restored to normal after exclusion.
	Can't enter game	Check whether the points on the main interface of the APP are enough, if not enough, you need to insert coins or scan the code to buy points.

Problem Report

If you encounter bugs or related game execution issues in the game, you can open LANGUAGE on the game homepage and click the Report button in the bottom left corner.



After receiving the report, the official personnel will immediately review the relevant issues and resolve your issue as soon as possible.

Hardware related issues

Please contact the email address below, or contact the sales staff.

info@edartsgame.com
WWW.EDARTSGAME.COM



EDmini

**Commercial Dartboard Machine
User Manual**

info@edartsgame.com
WWW.EDARTSGAME.COM